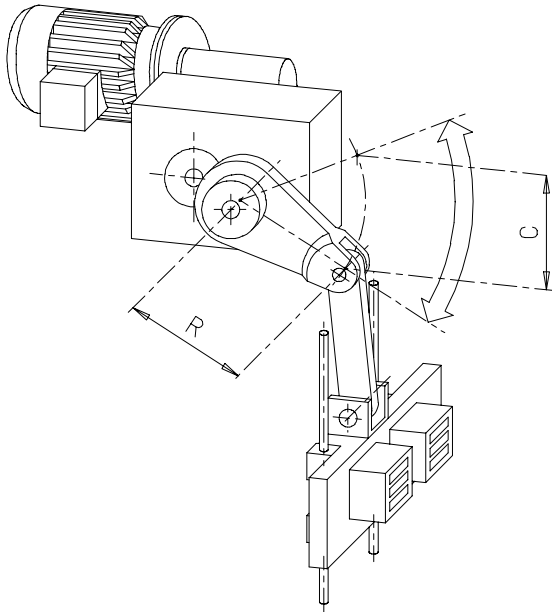


OSCILLATING APPLICATION



Horizontal or vertical motion		-
Linear stroke		mm
Forward time		secs
Forward dwell time		secs
Return time		secs
Return dwell time		secs
Mass of slide and parts		kg
Mass of connecting rod		kg
External forces during transfer		N
External forces during dwell		N

Please sketch any other parts not shown above. If possible, please attach a separate sketch of your application.



Precision Motion (COFIL) Ltd.

www.precisionmotion.co.uk

MOTION CONTROL, POSITIONING, HANDLING & TRANSFER SOLUTIONS

PO Box 2034, Preston, PR5 9AD – Tel.(01772) 339633 – Fax.(01772) 336362 – Email info@precisionmotion.co.uk